



Standard Test Method for Bulk Solids Characterization by Carr Indices¹

This standard is issued under the fixed designation D 6393; the number immediately following the designation indicates the year of original adoption or, in the case of revision, the year of last revision. A number in parentheses indicates the year of last reapproval. A superscript epsilon (ϵ) indicates an editorial change since the last revision or reapproval.

1. Scope*

1.1 This test method covers an apparatus and procedures for measuring properties of bulk solids, henceforth referred to as Carr Indices.²

1.2 This test method is suitable for free flowing and moderately cohesive powders and granular materials up to 2.0 mm in size. Materials must be able to pour through a 6.0 to 8.0-mm diameter funnel outlet when in an aerated state.

1.3 The values stated in SI units are to be regarded as standard. No other units of measurement are included in this standard.

1.4 This method consists of eight measurements and two calculations to provide ten tests for Carr Indices. Each individual test or a combination of several tests can be used to characterize the properties of bulk solids. These ten tests are as follows:

- 1.4.1 *Test A*—Measurement of Carr Angle of Repose
- 1.4.2 *Test B*—Measurement of Carr Angle of Fall
- 1.4.3 *Test C*—Calculation of Carr Angle of Difference
- 1.4.4 *Test D*—Measurement of Carr Loose Bulk Density
- 1.4.5 *Test E*—Measurement of Carr Packed Bulk Density
- 1.4.6 *Test F*—Calculation of Carr Compressibility
- 1.4.7 *Test G*—Measurement of Carr Cohesion
- 1.4.8 *Test H*—Measurement of Carr Uniformity
- 1.4.9 *Test I*—Measurement of Carr Angle of Spatula
- 1.4.10 *Test J*—Measurement of Carr Dispersibility

1.5 *This standard does not purport to address all of the safety concerns, if any, associated with its use. It is the responsibility of the user of this standard to establish appropriate safety and health practices and determine the applicability of regulatory limitations prior to use.*

2. Referenced Documents

- 2.1 *ASTM Standards:*³

¹ This test method is under the jurisdiction of ASTM Committee D18 on Soil and Rock and is the direct responsibility of Subcommittee D18.24 on Characterization and Handling of Powders and Bulk Solids.

Current edition approved Oct. 1, 2008. Published October 2008. Originally approved in 1999. Last previous edition approved in 2006 as D 6393 – 99 (2006).

² Carr, R.L., "Evaluating Flow Properties of Solids," *Chemical Engineering*, January 18, 1965, pp. 163–168.

³ For referenced ASTM standards, visit the ASTM website, www.astm.org, or contact ASTM Customer Service at service@astm.org. For *Annual Book of ASTM Standards* volume information, refer to the standard's Document Summary page on the ASTM website.

D 653 Terminology Relating to Soil, Rock, and Contained Fluids

D 3740 Practice for Minimum Requirements for Agencies Engaged in Testing and/or Inspection of Soil and Rock as Used in Engineering Design and Construction

D 6026 Practice for Using Significant Digits in Geotechnical Data

3. Terminology

3.1 *Definitions of Terms Specific to This Standard:* For common definitions of terms in this test method, refer to Terminology D 653.

3.1.1 *Carr Angle of Difference, n*—the difference between the Carr Angle of Repose and Carr Angle of Fall.

3.1.2 *Carr Angle of Fall, n*—an angle of repose measured from a powder heap to which a defined impulse shock has been given.

3.1.3 *Carr Angle of Repose, n*—a measurement from the powder heap built up by dropping the material through a vibrating sieve and funnel above a horizontal plate.

3.1.4 *Carr Angle of Spatula, n*—a measurement from the powder heap formed on a spatula that had been buried and then extracted from a bed of powder.

3.1.5 *Carr Cohesion, n*—a descriptive measure of interparticle forces based on the rate at which particles pass through sieves.

3.1.6 *Carr Compressibility, n*—a calculation made by using Carr Loose Bulk Density and Carr Packed Bulk Density as determined in 6.8.

3.1.7 *Carr Dispersibility, n*—a measurement by which a powder sample is dropped through a hollow cylinder above a watch glass and then the amount of powder collected by the watch glass is measured.

3.1.8 *Carr Dynamic Bulk Density, n*—a calculated bulk density of a material. It is used to compute vibration time for the Carr Cohesion measurement.

3.1.9 *Carr Loose Bulk Density, n*—a measurement obtained by sieving the sample through a vibrating chute to fill a measuring cup.

3.1.10 *Carr Packed Bulk Density, n*—a measurement obtained by dropping a measuring cup, which is filled with the sample, a specific number of times from the same height. Sometimes known as a *Tapped Bulk Density*.

*A Summary of Changes section appears at the end of this standard.

3.1.11 *Carr Uniformity, n*—a measurement calculated from the particle size distribution of the powder as measured by sieving.

4. Significance and Use

4.1 This test method provides measurements that can be used to describe the bulk properties of a powder or granular material.

4.2 The measurements can be combined with practical experience to provide relative rankings of various forms of bulk handling behavior of powders and granular materials for a specific application.

NOTE 1—The quality of the result produced by this standard is dependent on the competence of the personnel performing it, and the suitability of the equipment and facilities used. Agencies that meet the criteria of Practice D 3740 are generally considered capable of competent and objective testing/sampling/inspection/etc. Users of this standard are cautioned that compliance with Practice D 3740 does not in itself assure reliable results. Reliable results depend on many factors; Practice D 3740 provides a means of evaluating some of those factors. Practice D 3740 was developed for agencies engaged in the testing or inspection (or both) of soil and rock. As such it is not totally applicable to agencies performing this standard. However, users of this standard should recognize that the framework of Practice D 3740 is appropriate for evaluating the quality of an agency performing this standard. Currently there is no known qualifying national authority that inspects agencies that perform this standard.

5. Apparatus

5.1 The main instrument includes a *timer/counter* (A), a *vibrating mechanism* (B), an *amplitude gauge* (C), a *rheostat* (D), and a *tapping device* (E) (see Fig. 1).⁴

⁴ The sole source of supply of the apparatus known to the committee at this time is Hosokawa Micron International Inc., 10 Chatham Road, Summit, NJ. If you are aware of alternative suppliers, please provide this information to ASTM International Headquarters. Your comments will receive careful consideration at a meeting of the responsible technical committee,¹ which you may attend.

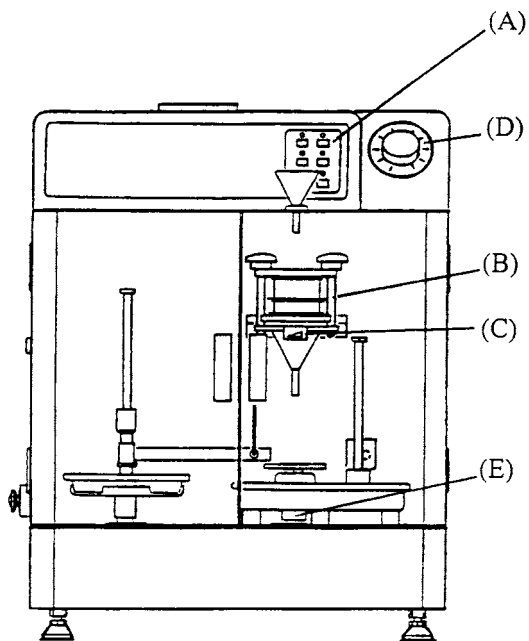


FIG. 1 Powder Characteristics Tester for Carr Indices

5.1.1 *Timer/Counter*— The timer is used to control the duration of vibration and the number of taps. A minimum 180-s timer for 60 Hz power supply is required. Alternatively, a counter can be used to control the number of taps.

5.1.2 *Vibrating Mechanism*, to deliver vibration at 50 to 60 Hz to the vibration plate at an amplitude of 0.0 to 3.0 mm.

5.1.3 *Amplitude Gauge*, mounted on the vibration plate to measure the amplitude of the vibration from 0.0 to 4.0 mm.

5.1.4 *Rheostat*—A dial used to adjust the vibration amplitude of vibration plate from 0.0 to 3.0 mm.

5.1.5 *Tapping Device*, consists of tap holder and tapping lift bar (tapping pin), which lifts and free-fall drops a measuring cup a stroke of 18.0 ± 0.1 mm at a rate of 1.0 ± 0.2 taps/s.

5.2 The spatula assembly consists of a *spatula blade* (A), a *pan base/elevator stand* (B), and a *spatula shocker* (C) (see Fig. 2).

5.2.1 *Spatula Blade*— A chrome-plated brass plate mounted on the blade receiver to retain powder while the elevator stand lowers the powder-filled pan. The dimensions of the spatula blade are 80 to 130 mm length, 21.0 to 23.0-mm width and 3.0 to 6.0-mm thick.

5.2.2 *Spatula Shocker*— A sliding bushing with a mass of 109.0 to 111.0 g and a drop height of 140.0 to 160.0 mm, measured from the lower edge of the bushing to the shocker base for the measurement of Carr Angle of Spatula. The total mass of the shocker assembly including the sliding bushing, pole, spatula blade, and blade receiver is 0.3 to 1.0 kg.

5.3 A dispersibility measuring unit consists of a *container* (A) with *shutter cover* (B), a *cylindrical glass tube* (C), and a *watch glass* (D), (see Fig. 3).

5.3.1 *Container*—A hopper unit with a shutter cover at the bottom to support a powder sample. The shutter cover opens horizontally to release the powder sample which then falls through the glass tube onto the watch glass.

5.3.2 *Cylindrical Glass Tube*, located vertically 160 to 180 mm under the shutter cover to confine the scattering/dispersed powder. The dimension of the tube is 90 to 110-mm diameter and 320 to 360-mm length.

5.3.3 *Watch Glass*, centered 100 to 105 mm under the cylindrical glass tube to collect undispersed powder. The dimension of watch glass is 90 to 110-mm diameter and about 2.0-mm thickness with the radius of curvature of about 96.3 mm, concave upwards.

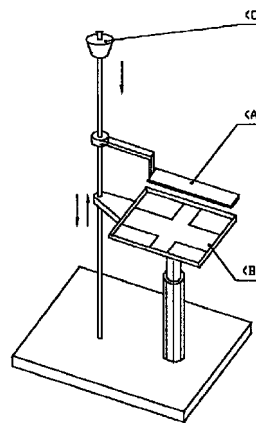


FIG. 2 Carr Spatula Assembly

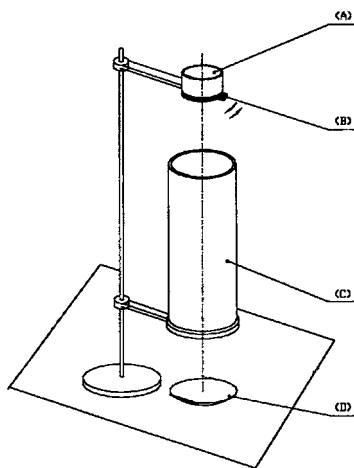


FIG. 3 Carr Dispersibility Measuring Unit

5.4 Accessories:

5.4.1 *Spatula Pan*—A stainless steel pan with at least a 100.0-mm width, a 125.0-mm length, a 25.0 mm height, and a 1.0-mm thickness, used to retain powder for the preparation of the measurement of Carr Angle of Spatula.

5.4.2 *Scoop*—A stainless steel container used to transport powder.

5.4.3 *Scraper*—A chrome plated brass or stainless steel plate used to scrape off excess powder in the cup.

5.4.4 *Cup*—A 100-cm³ stainless steel cylindrical container with the inside dimensions of 49.9 to 50.1-mm diameter and 49.9 to 50.1 mm height used for Carr Bulk Density measurement. The wall thickness of the cup is 1.3 to 2.3 mm. The interior walls of the cup are sufficiently smooth that machining marks are not evident.

5.4.5 *Cup Extension*—A white Delrin (trademarked) extension sleeve for the 100 cm³ measuring cup, 53.0 to 55.0 mm in diameter by 47.0 to 49.0 mm in height.

5.4.6 *Funnel for Carr Angle of Repose* —A glass funnel with about a 55° angle bowl as measured from the horizontal, 6.0 to 8.0 mm bottom outlet diameter and outlet stem length 32.0 to 36.0 mm for the measurement of Carr Angle of Repose.

5.4.7 *Stationary Chute*—A stainless steel conical chute with the dimensions of 73.0 to 77.0 mm top diameter, 53.0 to 57.0 mm height, and 48.0 to 52.0 mm bottom diameter to guide the powder flow into the measuring cup (see 5.4.4).

5.4.8 *Vibration Chute*—A stainless steel conical chute with the dimensions of 73.0 to 77.0 mm top diameter, 53.0 to 57.0 mm height, and 48.0 to 52.0 mm bottom diameter installed on the vibration plate to guide the powder flow to the stationary chute or cup extension.

5.4.9 *Sieves*, certified 76.0-mm diameter stainless steel sieves with openings of 710 μm, 355 μm, 250 μm, 150 μm, 75 μm, and 45 μm.

5.4.10 *Sieve Extension*—A stainless steel extension piece used as a spacer in the vibration unit when only one sieve is used.

5.4.11 *Spacer Ring*—A white Delrin (trademarked) spacer inserted between sieve and vibration chute or glass funnel to protect them from damage.

5.4.12 *Sieve Holding Bar*—A chrome-plated brass holding bar used to hold sieve assembly on the vibration plate.

5.4.13 *Pan*, with base for tapping device, measuring cup, and shocker. A stainless steel pan, at least 200-mm length, 140-mm width, 30-mm height, and 1.0-mm thickness, designed to accept tapping device, measuring cup and platform, as well as provide a stand base for shocker.

NOTE 2—The pan has molded-in feet so it is slightly raised from the table top. This helps make vibration more consistent.

5.4.14 *Platform*—A chrome-plated brass circular platform with a diameter of 79.0 to 81.0 mm and a height of 58.0 to 62.0 mm to be used for the measurement of Carr Angle of Repose.

5.4.15 *Shocker*—A sliding bushing with a mass of 109.0 to 111.0 g at a drop height of 140.0 to 160.0 mm, measured from the lower edge of the bushing to the shocker base for the measurement of Carr Angle of Fall. The total mass of the shocker, platform, and pan for the measurement of angle of fall is 1.1 to 1.6 kg.

5.4.16 *Brush*, a laboratory brush for dust removal.

5.4.17 *Cover*, for measuring Carr Dispersibility. A removable enclosure to confine the dust of sample powder when it falls onto the watch glass for the measurement of Carr Dispersibility.

5.5 *Balance*, capable of measuring sample mass to an accuracy of ± 0.01 g with a max of 2.0 kg.

5.6 *Scale (ruler)*, with mm increments, at least 150 mm long.

5.7 *Data Acquisition Equipment* —A microprocessor or computer may be used to guide the measuring operation, collect data, calculate data, and print test results. Also, a properly calibrated photo image of the powder cone can be used for relevant measurement.

6. Procedure

6.1 A representative powder sample from process stream should be riffled carefully into portions for each individual measurement.

6.2 All the measurements should be performed on a strong, horizontally-leveled bench or work table. If possible, use a concrete or stone-topped table.

Test A—Measurement of Carr Angle of Repose

6.3 Placement of Parts:

6.3.1 Place the parts onto the vibration plate in the following order starting at the bottom:

- 6.3.1.1 Glass funnel;
- 6.3.1.2 Spacer ring;
- 6.3.1.3 Sieve with opening of 710 μm;
- 6.3.1.4 Sieve extension; and,
- 6.3.1.5 Sieve holding bar.

6.3.2 Fasten the vibration assembly with knob nuts located on both sides of sieve holding bar.

6.3.3 Center the platform under the glass funnel.

6.3.4 Position the stem end of the glass funnel 75.0 to 77.0 mm above the platform.

6.3.5 Set desired vibration time on timer (usually 180 s on 60 Hz vibrating frequency is selected).